

HD4V8TBARO



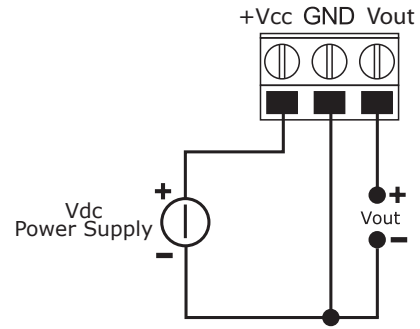
HD4V8TBARO BAROMETRIC TRANSMITTER

Barometric transmitter to wall mount for indoor use, with 0...1 Vdc analog output. Measuring range 600...1100 mbar. Power supply 10...40 Vdc. Working temperature -30°C... 60 °C. Suitable for installation in the housings for weather stations HD32.35, HD32.35FP, HD32.36 and HD32.36FP.

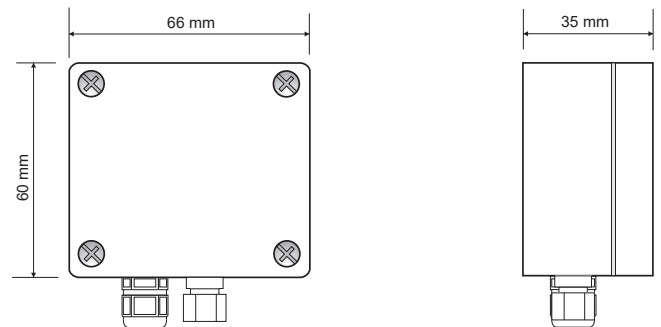
Technical specifications	
Type of sensor	Piezoresistive
Measuring range	600...1100 mbar
Analog output	0...1Vdc
Accuracy	±0.5 mbar, @ 20°C
Resolution	Infinite
Temperature drift	<1% f.s., zero <1% f.s., span from -20 °C to +60 °C (-4°F to 140 °F)
Long term stability	<0.25% f.s. at 6 months at 20 °C
Settling Time	1 sec. to 99% of the measure
Response time	<200 ms after pressure stabilization
Power Supply	10...40 Vdc
Current Supply	<4 mA
Working temperature	-30...+60 °C
Compatibility media	Only air and non aggressive dry gases
Overpressure	2 bar – 30 psi
Dimensions	60 x 66 x 35 mm
Weight	100 g

Electrical connections

Connect the power supply between the +Vcc and GND terminals. Connect the voltage analog output between the Vout and the GND terminals.



Dimensions



Example of installation in the housings for weather stations.

